

Airvisor 2 MV 1013939 Product data sheet:



"Chemical industry kit"



Key Selling Features:

Acetate visor for optimum resistance to solvents.

Disposable visor covers to maintain optimum levels of vision. The anti-static coating minimises the attraction of dust from the working environment.

For the first time a Class 4A device is available, with a Total Inward Leakage of less than 0.05%, helping to reduce the user's exposure to the lowest possible levels. An important point when dealing with asthmagens and respiratory sensitizers.

Contents of delivery carton:

Airvisor 2 MV Chemical Kit, DMAK-0023E, complete with: acetate chemical resistant visor (EN166 2-F), one fabric cassette, two disposable visor covers, head and neck cover and storage bag. Waistbelt complete (DAVV-1003E), including integral low flow warning device. Tested and Certified to EN14594:2005 Class 4A.

Features & Benefits of Waistbelt Regulator Unit:

Features:	Benefits:
Provides a stable flow to the headpiece, (260 l/min)	Optimum control of airflow to the user's headpiece ensuring user's safety.
Rolling diaphragm design	Reacts quickly to changes in input pressure
Input pressure does not affect flow	Constant airflow irrespective of other demands on the air supply system
Low flow warning device/whistle	Validates correct air flow at start up, warns of low flow conditions during use
Specially chosen High Flow components	Minimal resistance to the flow of air throughout the system
Internal carbon filter to remove odours	Removes last traces of odours to ensure pleasant working conditions

Features & Benefits of Airvisor 2 MV headpiece:

Features:	Benefits:
Lightweight headpiece	Easy to use and to wear for long periods, causes less fatigue
Large visor with wide field of vision	Easy to carry out demanding work, less risk of trips and falls
Visor and face seals can be changed quickly and independently	Easy and flexible maintenance provides cost savings to the user
Upgraded face seal, material and design	Improved performance and ease of use with new press stud design
Specially designed supply tube & diffuser	Optimum delivery and regulation of air flow inside the headpiece
Cellulose acetate visor	Chemical resistance reduces degradation due to solvent/paint attack
Disposable visor covers	Protect the main visor and maintain optimum vision, also minimise attraction of dust from the working environment
Head and neck cover for personal hygiene	Provided as part of the 'ready to use' kit

Please Note: All Airvisor 2 MV respirator kits must be used with Sperian 'Blueline' air supply hoses to comply with certification. Maximum length for Class 4A devices is 10m.

Protection Factors:

NPF 2,000, APF 40.

(Total Inward Leakage is less than 0.05% according to EN14594 test methods for Class 4 devices).

Main fields of use:

Chemical industry, handling and production of chemicals and by-products

Automotive & Aerospace industries (where single hose operation is not appropriate):

Painting of new vehicles/fuselages in car/aeroplane factories.

Refinishing of vehicles in the crash repair sector.

Regular repainting of aero-structures.

Particularly suited to areas where 'Two-Pack' Isocyanate paint systems are being sprayed. Supplied air systems provide an over-pressure inside the headpiece ensuring that all leaks at the face seal are outwards. The use of such systems with isocyanates paints is a legal requirement in the UK.

- Airvisor 2 MV systems are totally free of silicone, thereby eliminating the risk of damage to the paint finish, from poor adhesion and retention etc. (Many other silicone free respiratory products are available from within the Sperian range and are ideal for use in paint preparation areas).
- Airvisor 2 MV systems, their moulded plastic parts and fabrics, have matt surfaces to trap and retain paint overspray thereby reducing the risk of dried paint particles/flakes falling off onto the partly dried surfaces of subsequent painting cycles and ruining them.

Furniture manufacturing industry:

Application of paints and lacquers/varnishes.

Spraying of coloured dyes onto leather.

Protection from glues and solvents.

General industry:

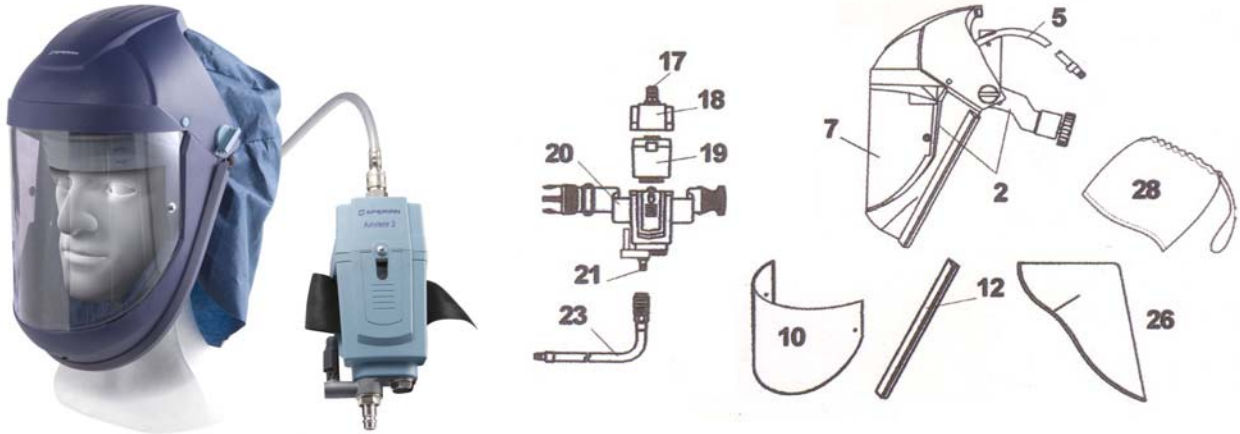
Wherever general painting duties are undertaken.

Power coating industry:

Particularly suitable to all aspects of that industry's needs.

1013939

DMAK-0023E Airvisor 2 MV Chemical Kit:



Delivery Carton Contents:

Airvisor 2 MV Chemical Kit complete with acetate chemical resistant visor, one fabric face seal cassette, two disposable visor covers, head/neck cover and storage bag. Waistbelt complete (DAVW-1003E), including integral low flow warning device. Tested and Certified to EN14594:2005 Class 4A.

Spare Headpiece (complete):

1013981 DMAK-0071E For use with DMAK-0021/23E

Spare Waistbelt (complete):

1013990 DAVW-1003E For use with DMAK-0023/24E

Replacement parts and accessories (as numbered in User Instructions):

2	1028822	Browguard and headband for Airvisor 2 MV DMAK models
5	1028825	Airvisor 2 Air supply tube and diffuser assembly for all models
7	1001775	Acetate visor (chemical resistant) for use with DMAK-0021/23E (pack of 5)
	1028870	Visor sealing strips for use with items 7 (pack of 10)
10	1001778	Disposable visor covers for use with all DMAK models (pack of 10)
10	1001779	Disposable visor covers for use with all DMAK models (pack of 50)
12	1013994	Fabric face seal cassette for DMAK models (pack of 5)
17	1001725	Miniature High Flow quick release socket
18	1028829	Airvisor 2 Regulator assembly for all models
19	1001672	Carbon cartridge for all models
20	1001674	Waistbelt housing and fabric belt
21	1028830	Airvisor 2 Special High Flow quick release plug
23	1001726	Blueline Air Supply hose 3.5m
23	1001727	Blueline Air Supply hose 7.5m
23	1004716	Blueline Air Supply hose 10m
26	1001676	Disposable fabric head and neck cover for use with all DMAK models (pack of 5)
28	1001738	Fabric storage bag for all models