

Hopper Bag Roller

311535C

- Hopper bag roller accessory for high production plastering applications -

Model 289587



Important Safety Instructions

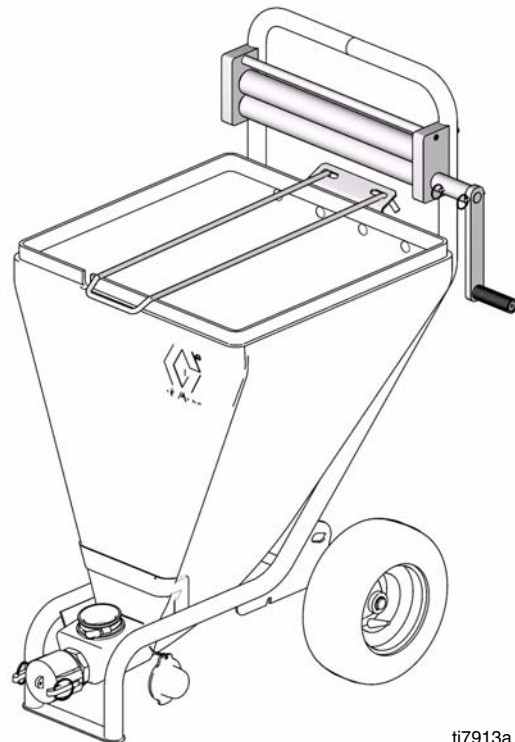
Read all warnings and instructions in 311421 manual.
Save these instructions



[311534](#)

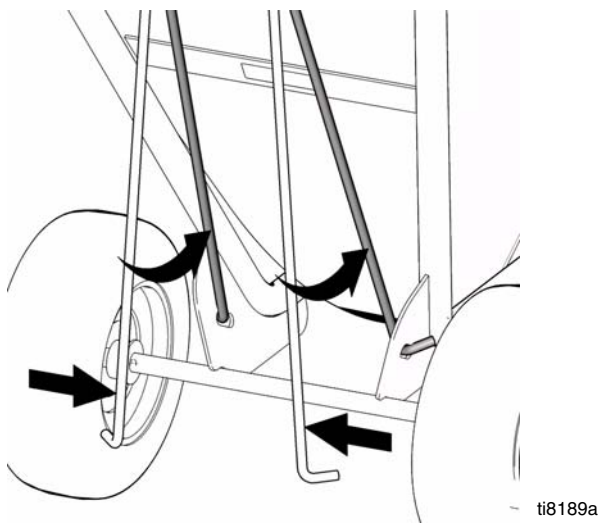
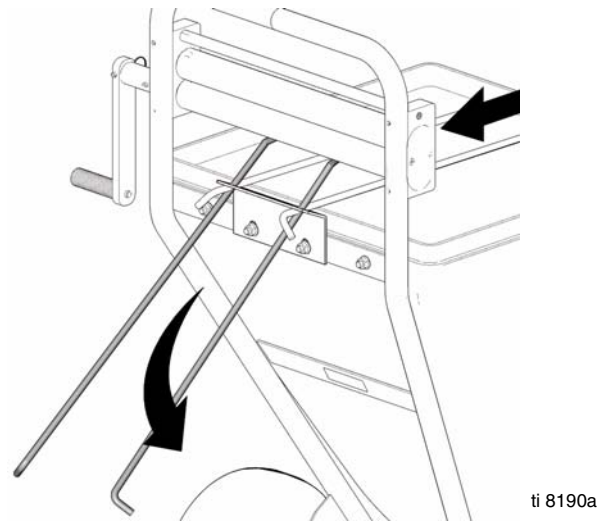
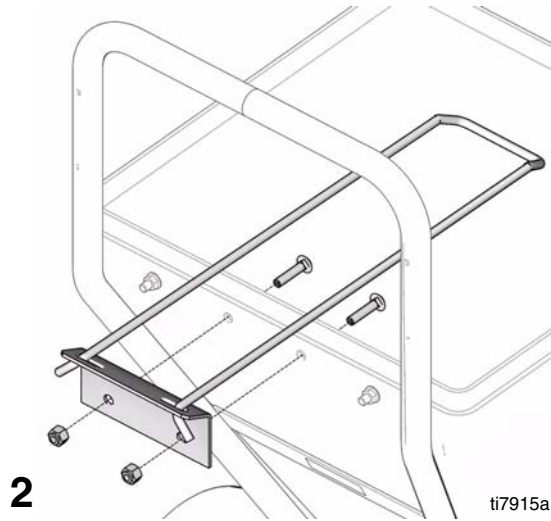
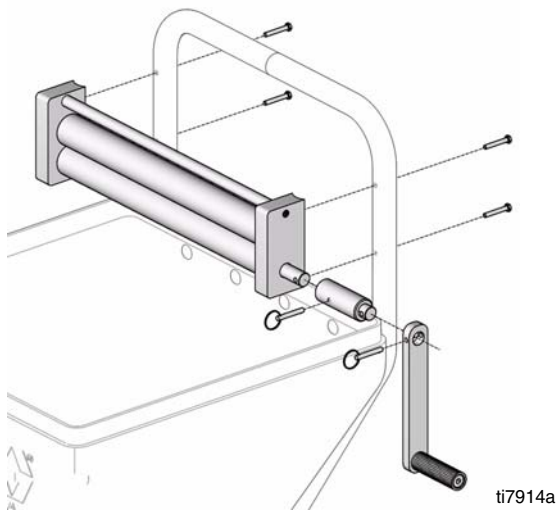


[311421](#)



ti7913a

PROVEN QUALITY. LEADING TECHNOLOGY.



Instructions

Mount Bag Roller on Texture Hopper

- 1 Remove bag roller from crate.
- 2 Reference **Parts**, page 5.
- 3 Fig. 1. Install bag roller on texture hopper handle with four screws (16).
- 4 Install spacer (24) to bag roller with ring detent pin (11).
- 5 Install crank handle (13) to to crank arm (12) with shoulder screw (14).
- 6 Install assembled crank arm to spacer with ring detent pin (11).
- 7 Fig. 2. Mount rack plate (21) to hopper with two bolts (22) and nuts (23).

Operation

- 1 Fig. 3. Feed bottom of bag into bag roller. Turn crank handle enough to start to pull bag through rollers. cut off top of bag.
- 2 Turn crank handle and squeeze contents of bag into texture hopper.

Clean Up

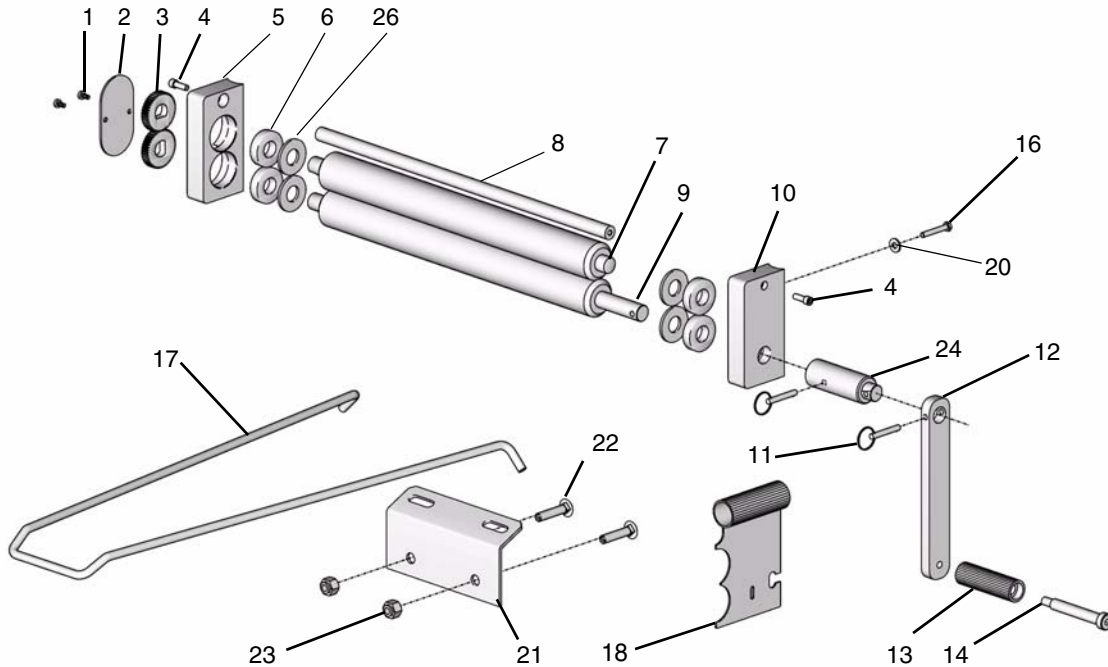
- 1 Clean rollers.

CAUTION
Sharp corners of scrapers can gouge the plastic of the hopper and, in time, cause leaks.
2 Scrape dry, hard material in hopper with plastic scraper.
3 Flush residue with water.

Storage

- 1 Fig. 4. Slide bag rack back through plate holes.
- 2 Squeeze ends and insert into gusset.

Parts



TI7917c

Ref	Part	Description	Qty	Ref	Part	Description	Qty
1	110637	SCREW, mach, pnhd	2	14	118519	SCREW, shoulder, socket head	1
2	15C680	PLATE, cover	1	15	70386	LUBRICANT, grease, EP	1
3	15C547	GEAR, roller	2	16	115138	SCREW, cap, hex hd	4
4	112166	SCREW, cap, sch	2	17	15H235	RACK, bag	1
5	15R679	BLOCK, gears mounting	1	18	15D949	TOOL, multi-purpose	1
6	121326	BEARING, sleeve	4	20	110755	WASHER, plain	4
7	15R710	ROLLER, top	1	21	15H344	PLATE, rack	1
8	15C923	BRACE, bagroller	1	22	404533	BOLT, carriage	2
9	15R729	ROLLER, bottom	1	23	112958	NUT, lock, heavy hex	2
10	15R678	BLOCK, rollers mounting	1	24	15E031	SPACER, handle, extension	1
11	118558	PIN, quick release, hitch	2	26	121333	WASHER, foam	4
12	15C487	ARM, crank	1				
13	15C681	HANDLE, crank	1				

TO PLACE AN ORDER, contact your Graco distributor, or call **1-800-690-2894** to identify the nearest distributor.

This manual contains English: mm 311535

Graco Headquarters: Minneapolis
International Offices: Belgium, China, Japan, Korea
GRACO INC. P.O. BOX 1441 MINNEAPOLIS, MN 55440-1441
www.graco.com
 6/2006, Rev 1/2008